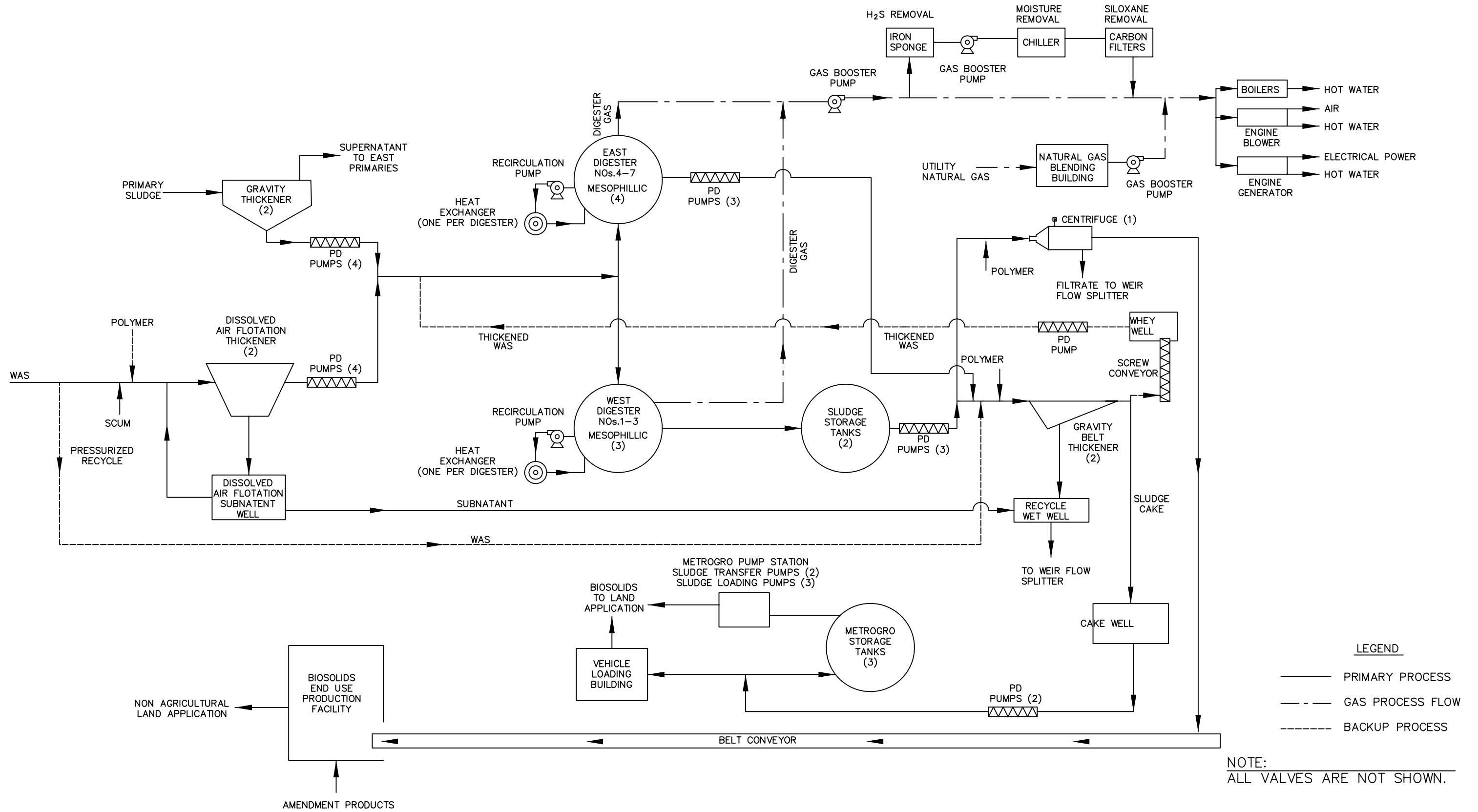


User: AKENS Spec:PIRNE STANDARD File: F:\Mena\g-projects\CHICAGO\PRO\processflow\FIG1.DWG Scale: 1:1 Date: 10/19/2007 Time: 10:40 Layout: Layout1-Blank



LEGEND
 ——— PRIMARY PROCESS
 - - - GAS PROCESS FLOW
 - - - - - BACKUP PROCESS

NOTE:
 ALL VALVES ARE NOT SHOWN.



| REVISIONS | | | |
|-----------|----|------|---------|
| NO. | BY | DATE | REMARKS |
| | | | |
| | | | |
| | | | |
| | | | |

DES _____
 DWN _____
 CKD _____

MMSD
 50-YEAR MASTER PLAN

Figure 5-4
 SOLIDS PROCESS SCHEMATIC

COPYRIGHT © 2008
 MALCOLM PIRNIE, INC.
 DATE _____
 SHEET _____ OF _____
 CAD REF. NO. _____