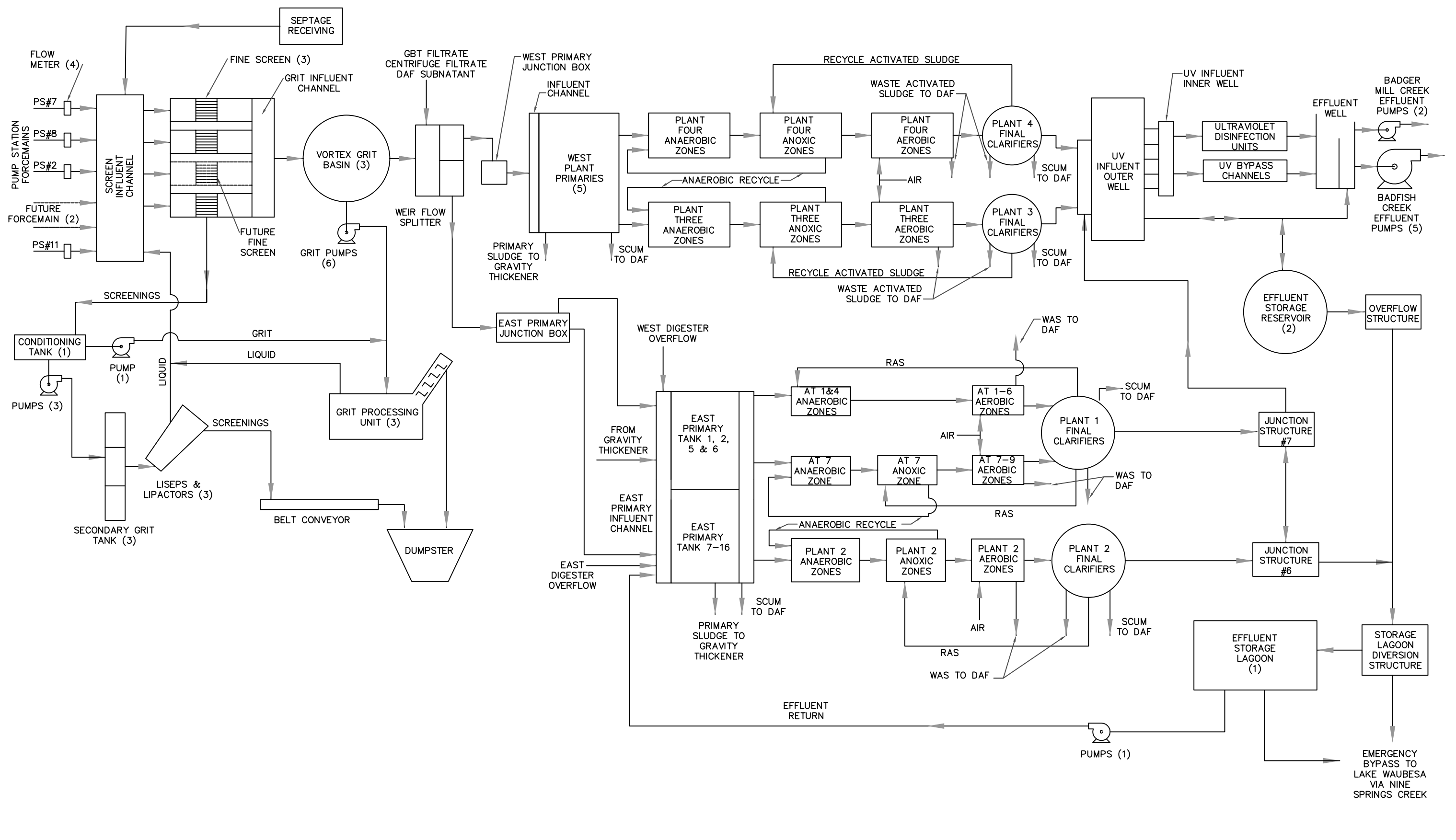


User: AKENS Spec: PIRNIE STANDARD File: F:\Mema\p-projects\CHICAGO\PRO\processflow\F02.DWG Scale: 1:1 Date: 10/19/2007 Time: 10:40 Layout: Layout1-Blank



REVISIONS			
NO.	BY	DATE	REMARKS

MMSD
50-YEAR MASTER PLAN

Figure 5-3
LIQUID PROCESS SCHEMATIC